



This tote has a wide bottom to fit bulky groceries. Four sides offer plenty of room for decoration.

- Durable 10-ounce, 100% cotton twill
- Cotton web handles reinforced with stress-point stitching
- Dimensions: 15.5”h x 13”w x 7”d; Approx. 1,411 cubic inches

Bags not intended for use by children 12 and under. Bags have a hangtag with information on responsible sourcing, product safety and a California Prop 65 warning

COLOR INFORMATION



Black
PSM BLACK
7 C

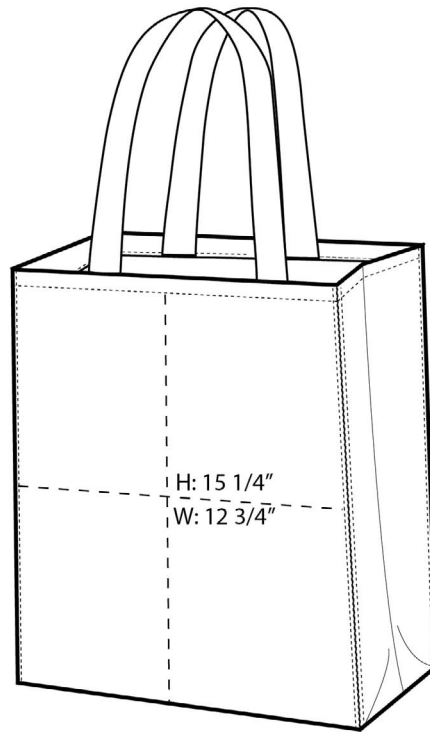


Natural
PMS 7500 C

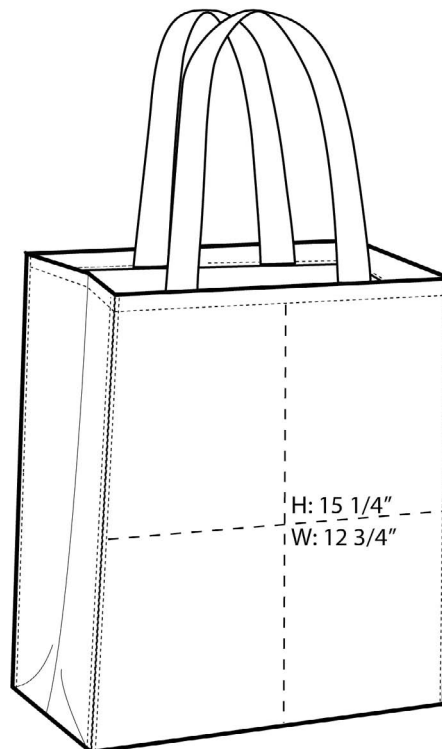


Navy
PMS 532 C

Port & Company® Grocery Tote B100



FRONT VIEW



BACK VIEW

Note: Best graphic placement should be per the embellisher/screen printer recommendations.